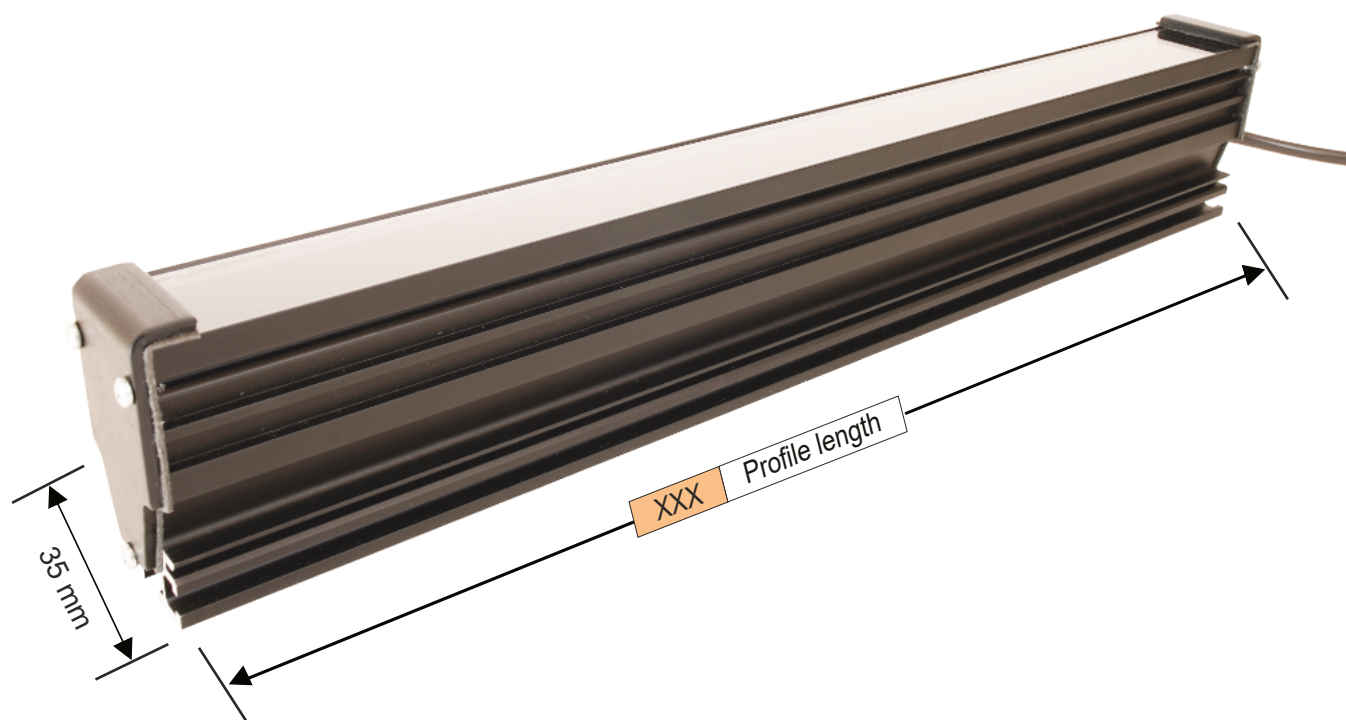


FROM 1 TO 4 CHANNELS IN A SINGLE LAMP



Develop your custom solution

Over 18 Standard Colours

Base IP54 Protection Degree

Variant IP65 Protection Degree

24 Vdc

Optional Polarizing Filter

CE RoHS

UK CA

Illuminator Features :

- Project achieved by internal resources and Genesi skills;
- Model with 5° Lenses or transparent, satin and opaline covers;

COLOUR	WHITE		UV-A				VISIBLE				NIR			SWIR						
Led Colour	White 6000K -6K	White 4000K -4K	UV 365nm -365	UV 385nm -385	UV 395nm -395	UV 405nm -405	Blue 450nm -450	Green 524nm -524	Red 625nm -625	Deep Red 660nm -660	IR 730nm -730	IR 850nm -850	IR 950nm -950	SWIR 1050nm -1050	SWIR 1200nm -1200	SWIR 1300nm -1300	SWIR 1450nm -1450	SWIR 1550nm -1550	SWIR 1650nm -1650	SWIR 1900nm -1900



Genesi LUX®

GENESI ELETTRONICA SRL - VIA BACHELET, 3/A - 41057 SPILAMBERTO (MO) - ITALY
info@genesi-lux.it - TEL. +39 059785566 - www.genesi-elettronica.com
 ©All Rights Reserved GENESI ELETTRONICA - GEVXD POWER BAR



Organization with a certified ISO 9001:2015 Quality Management System

Rev. 01/24

GEVXD Part Number

Ex. Code : **GEVXDXXX** -**YYY** -**CCC** -**WW1** -**WW2**

XXX	Base Lengths
GEVXD20	20 cm
GEVXD36	36 cm
GEVXD52	52 cm
GEVXD84	84 cm
GEVXDXXX	from 20 cm to 600 cm on demand

-YYY	Led Colours	EN 62471
-6K	Base 6000K Cold White	White RISK1
-4K	4000K Natural White	
-36	UV 365 nm	UV - A RISK3
-38	UV 385 nm	
-39	UV 395 nm	
-40	UV 405 nm	
-45	450 nm Royal Blue	Visible RISK1
-52	524 nm Green	
-62	625 nm Red	
-66	660 nm Deep Red	Nir RISK2
-7	730 nm IR	
-8	850 nm IR	
-9	950 nm IR	
-10	1050 nm SWIR	Swir RISK2
-11	1140 nm SWIR	
-12	1200 nm SWIR	
-13	1300 nm SWIR	
-14	1450 nm SWIR	
-15	1550 nm SWIR	
-16	1650 nm SWIR	
-19	1900 nm SWIR	
-YYY	Colour on demand	

-CCC	Powers
	Base 1 A per LED
-CCC	Current on demand (0-4 A)

-WW1	Cover variants
-L	Base 5° lens for linear camera
-M	Base transparent cover for matrix camera
-ST	Satin cover for backlight use
-OP	Opaline cover for backlight use
-WW1	Cover on demand

-WW2	Cables
	Base 2 Mt cable 2 wires
-M8	20 cm cable + M8 3P M
-M12	20 cm cable + M12 5P M
-S	2 Mt cable + logic start
-M8S	20 cm cable + M8 3P M + logic start
-M12S	20 cm cable + M12 5P M + logic start
-5M	5 Mt 2P cable
-5MS	5 Mt 3P cable + logic start
-WW2	Supply connection on demand

Not all combinations are available

Part Number Examples:

GEVXD20-12131415-1A-L

Power bar 4 channels 20cm SWIR 20cm 1200-1300-1450-1550nm
Lens 5° cover 1,2A 29W 20cm cable M12 8P M + 4 logic

GEVXD52-6K1013-1A-L

Power bar 3 channels 52cm VIS-SWIR 6000K-1050-1300nm Lens
5° cover 3,6A 86W 20cm cable M12 5P M + 2 logic start

GEVXD180-1215-1A-L

Power bar 2 channels 180cm 1200-1550nm Lens 5° cover 6,48A
155W 20cm cable M12 5P M + 2 logic start

Design & Production
Made in Italy



Genesi LUX®

GENESI ELETTRONICA SRL - VIA BACHELET, 3/A - 41057 SPILAMBERTO (MO) - ITALY

info@genesi-lux.it - TEL. +39 059785566 - www.genesi-elettronica.com

©All Rights Reserved GENESI ELETTRONICA - GEVXD POWER BAR

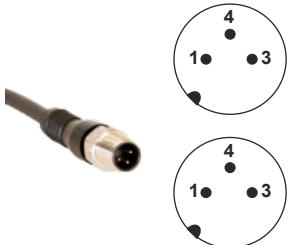


Organization with a
certified ISO 9001:2015
Quality Management System

Rev. 01/24

PIN OUT

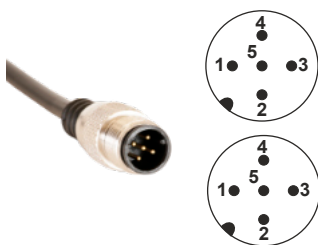
-M8 / -M8S



M8 - Male 3 Poles	
1	+24 V
3	GND
4	NC

M8S - Male 3 Poles	
1	+24 V
3	GND
4	Start PNP

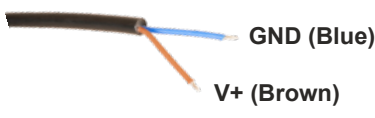
-M12 / -M12S



Under 4 A		Over 4 A	
M12 - Male 5 Poles		M12 - Male 5 Poles	
1	+24 V	1	+24 V
2	NC	2	+24 V
3	GND	3	GND
4	NC	4	NC
5	NC	5	GND

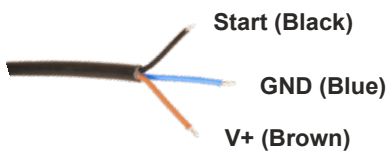
Under 4 A		Over 4 A	
M12S - Male 5 Poles		M12S - Male 5 Poles	
1	+24 V	1	+24 V
2	NC	2	+24 V
3	GND	3	GND
4	Start PNP	4	Start PNP
5	NC	5	GND

-5M / -10M



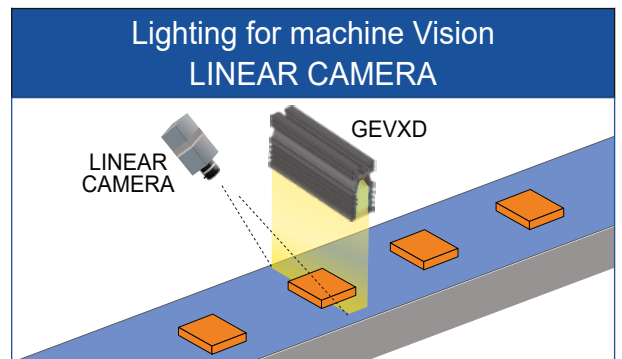
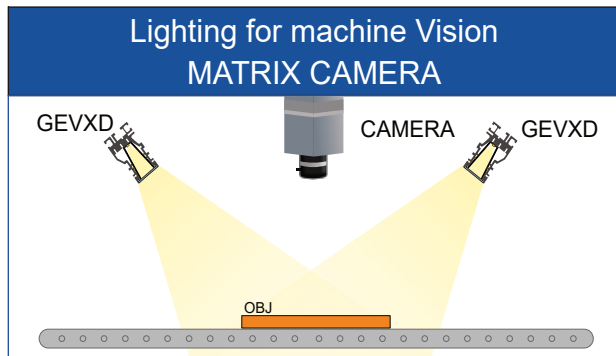
GND (Blue)
V+ (Brown)

-S / -5MS / -10MS

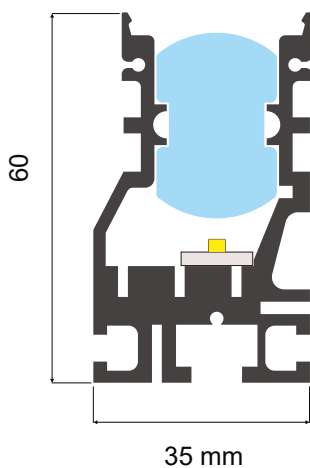


Start (Black)
GND (Blue)
V+ (Brown)

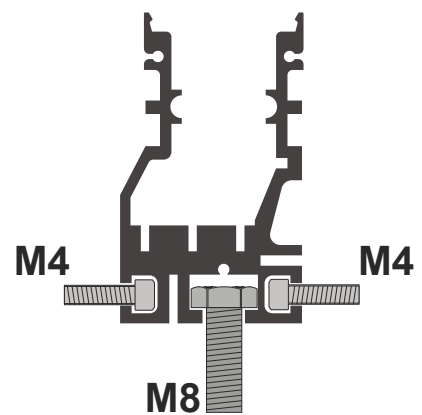
TYPICAL APPLICATIONS



MECHANICAL DRAWING

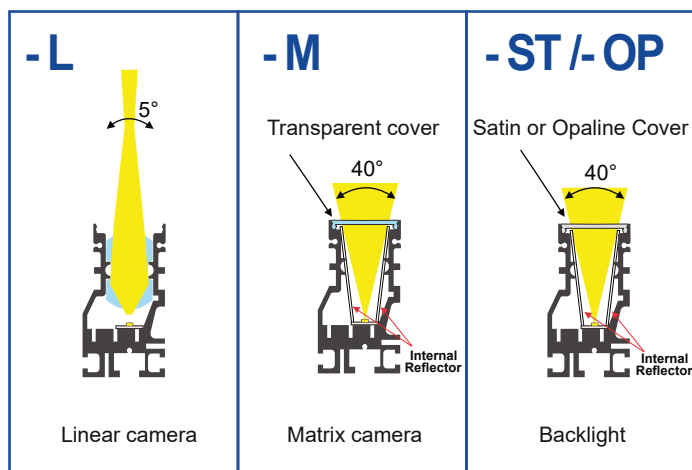


FIXING

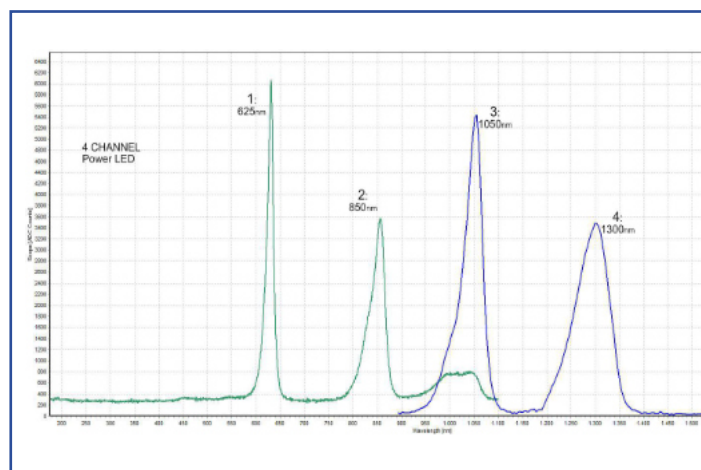


For 3D mechanical drawing requests - info@genesi-lux.it

BEAM ANGLES AND COVERS



WAVELENGTHS EXAMPLE

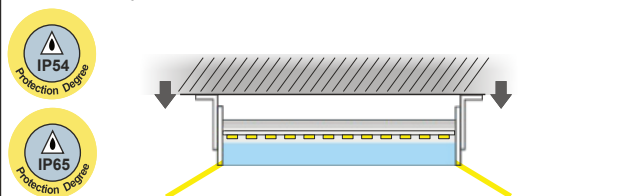


Tailor-Made

Connector	PINS	Function	Description
	1		
	2		
	3		
	4		
	5		

DEVELOP YOUR CUSTOM PRODUCT WITH OUR R&D TEAM

The indicated IP protection degree is guaranteed only if the product is positioned downward



NEW SOLUTION

DESIGN A NEW ONE
info@genesi-lux.it



SAMPLE

TEST THE PRODUCT
info@genesi-lux.it



DOWNLOAD

TECHNICAL SPECIFICATIONS
www.genesi-elettronica.com



REQUEST

THE PRICE LIST
info@genesi-lux.it

STANDARDS	
EMC immunity :	EN 61547:2009
EMC emission :	EN 55015:2013 + A1
Photobiologic risk :	EN 62471:2008 GLS:
Assessment of lighting equipment related to human exposure to electromagnetic fields	EN 62493:2015

WARNING

-Electrical device exclusively for professional use. Installation can be done by qualified personnel only.
-In case of power supply wire damage, its replacement has to be done at the head office exclusively.

Warranty loss in case of inappropriate use and tampering.



Design & Production
Made in Italy



Genesi LUX

GENESI ELETTRONICA SRL - VIA BACHELET, 3/A - 41057 SPILAMBERTO (MO) - ITALY

info@genesi-lux.it - TEL. +39 059785566 - www.genesi-elettronica.com

©All Rights Reserved GENESI ELETTRONICA - GEVXD POWER BAR



Organization with a certified ISO 9001:2015 Quality Management System

Rev. 01/24