

- Develop your custom solution
- Over 18 Standard Colours
- Base IP54 Protection Degree
- Variant IP65 Protection Degree
- CE RoHS
- 24 Vdc
- Optional Polarizing Filter

Illuminator Features :

- Project achieved by internal resources and Genesi skills;
- Model with 5°, 12°, 20°, 40° Lenses or transparent covers;

COLOUR	WHITE		UV-A				VISIBLE				NIR			SWIR					
Led Colour	White 6000K	White 4000K	UV 365nm	UV 385nm	UV 395nm	UV 405nm	Blue 450nm	Green 530nm	Red 625nm	Deep Red 660nm	IR 730nm	IR 850nm	IR 950nm	SWIR 1050nm	SWIR 1200nm	SWIR 1300nm	SWIR 1450nm	SWIR 1550nm	SWIR 1650nm
	-6K	-4K	-365	-385	-395	-405	-470	-524	-625	-660	-730	-850	-950	-1050	-1200	-1300	-1450	-1550	-1650

Ex. Code : **GEVXXX** -**YYY** -**CCC** -**WW1** -**WW2**

XXX	Base Lengths
GEVX06	6 cm
GEVX10	10 cm
GEVX16	16 cm
GEVX20	20 cm
GEVX28	28 cm
GEVX34	34 cm
GEVX42	42 cm
GEVX50	50 cm
GEVX100	100 cm
GEVX200	200 cm
GEVXXXX	from 3 cm to 600 cm on demand

-YYY	Led Colours	EN 62471
-6K	Base 6000K Cold White	White RISK1
-4K	4000K Natural White	
-365	UV 365 nm	UV - A RISK3
-385	UV 385 nm	
-395	UV 395 nm	
-405	UV 405 nm	
-RGB	RGB	Visible RISK1
-450	450 nm Royal Blue	
-524	524 nm Green	
-625	625 nm Red	
-660	660 nm Deep Red	
-730	730 nm IR	Nir RISK2
-850	850 nm IR	
-950	950 nm IR	
-1050	1050 nm SWIR	Swir RISK2
-1200	1200 nm SWIR	
-1300	1300 nm SWIR	
-1450	1450 nm SWIR	
-1550	1550 nm SWIR	
-1650	1650 nm SWIR	
-YYY	Colour on demand	

-CCC	Powers
UD	70 mA per led ULTRA DENSITY
HD	85 mA per led HIGH DENSITY
XD	300 mA per led POWER LED
YD	2A per LED ONLY STROBE USE
-CCC	Current on demand

-WW1	Cover variants
	Base 5° Lens cover
-T65	5° lens cover - IP65
-L12	12° lens cover
-L20	20° lens + transparent cover
-L40	40° lens + transparent cover
-TN	Transparent cover without lens
-TP	Transparent cover + Polarizing filter
-TN65	Transparent cover without lens + 3M - IP65

-WW2	Cables
	Base 2 Mt cable 2 wires
-M8	20 cm cable + M8 3P M
-M12	20 cm cable + M12 5P M
-S	2 Mt cable + logic start
-M8S	20 cm cable + M8 3P M + logic start
-M12S	20 cm cable + M12 5P M + logic start
-5M	5 Mt 2P cable
-5MS	5 Mt 3P cable + logic start
-WW2	Supply connection on demand

It is possible to ask up to 2 different colours in a single light

Not all combinations are available

Part Number Examples:

GEVX20-6K-UD

Power bar 20cm White 6000K 5° lens cover 2000Lm 560mA 13,4W
2Mt cable 2 Wires

GEVX30-365-T65-10M

Power bar 30cm UV365 nm 5° lens cover 1,12 A 27W IP65 10Mt
cable 2 Wires

GEVX240-625-UD

Power bar 240cm Red 625nm 5° Lens cover 8,26A 198 W
continuous use 2Mt 2 cables 2 Wires

Design & Production
Made in Italy



Genesi LUX

GENESI ELETTRONICA SRL - VIA BACHELET, 3/A - 41057 SPILAMBERTO (MO) - ITALY

info@genesi-lux.it - TEL. +39 059785566 - www.genesi-elettronica.com

©All Rights Reserved GENESI ELETTRONICA - GEVX POWER BAR

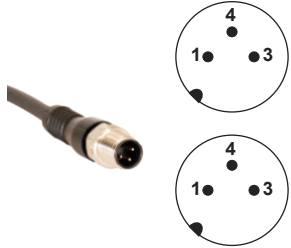


Organization with a certified ISO 9001:2015 Quality Management System

Rev. 01/24

PIN OUT

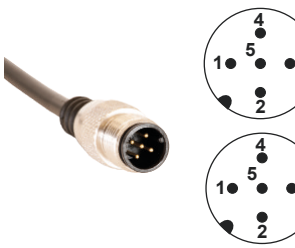
-M8 / -M8S



M8 - Male 3 Poles	
1	+24 V
3	GND
4	NC

M8S - Male 3 Poles	
1	+24 V
3	GND
4	Start

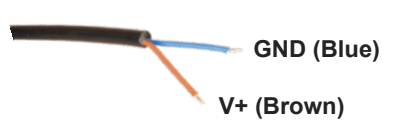
-M12 / -M12S



Under 4 A		Over 4 A	
M12 - Male 5 Poles		M12 - Male 5 Poles	
1	+24 V	1	+24 V
2	NC	2	+24 V
3	GND	3	GND
4	NC	4	NC
5	NC	5	GND

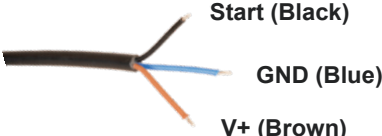
Under 4 A		Over 4 A	
M12S - Male 5 Poles		M12S - Male 5 Poles	
1	+24 V	1	+24 V
2	NC	2	+24 V
3	GND	3	GND
4	Start PNP	4	Start PNP
5	NC	5	GND

-5M / -10M



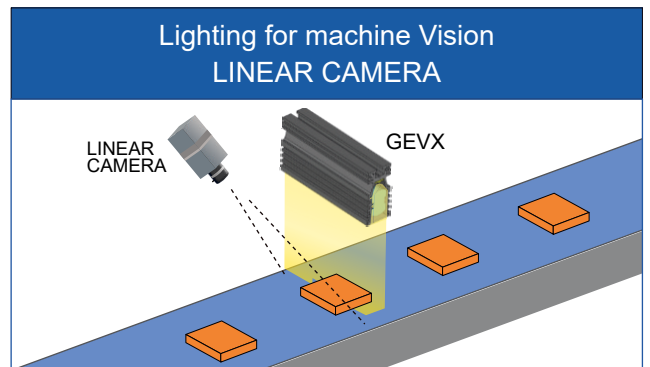
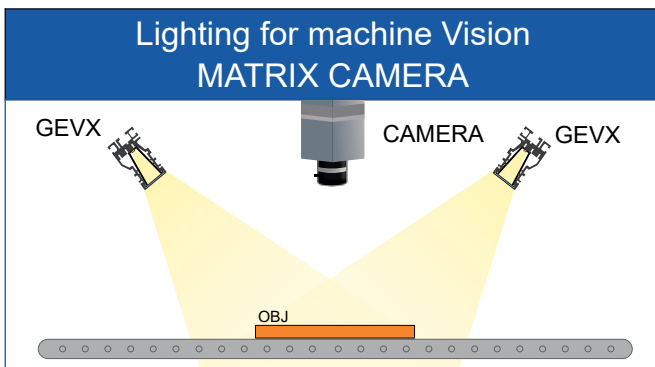
GND (Blue)
V+ (Brown)

-S / -5MS / -10MS

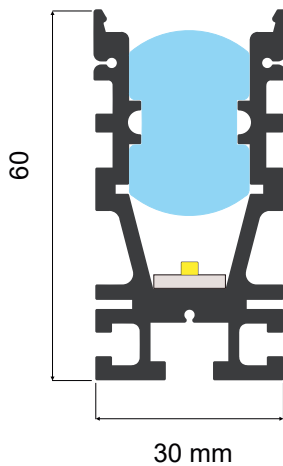


Start (Black)
GND (Blue)
V+ (Brown)

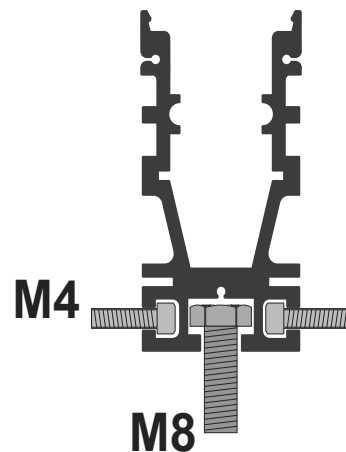
TYPICAL APPLICATIONS



MECHANICAL DRAWING

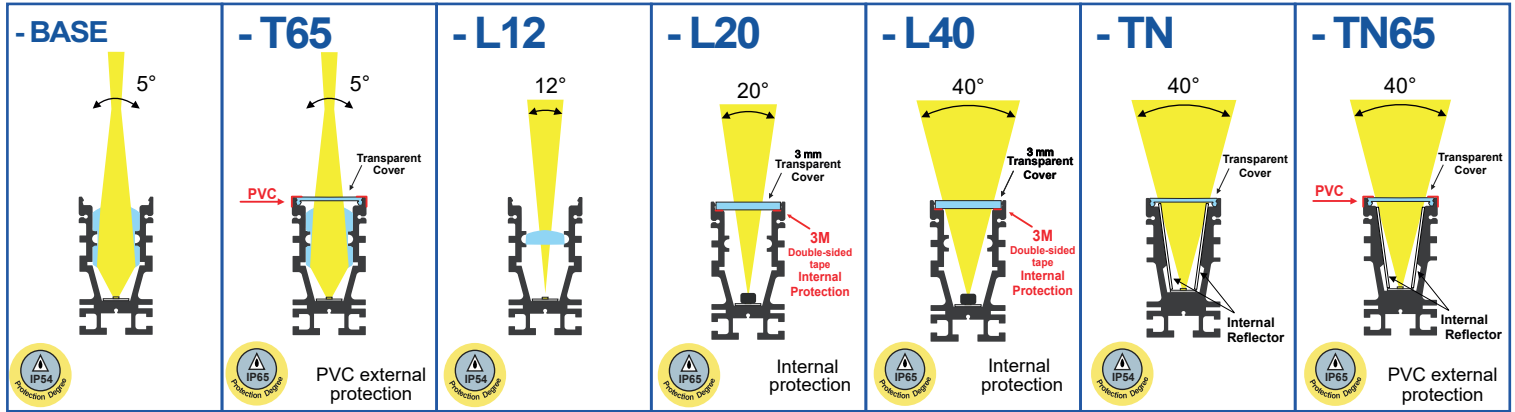


FIXING



For 3D mechanical drawing requests - info@genesi-lux.it

BEAM ANGLES AND COVERS



LIGHT PROJECTION

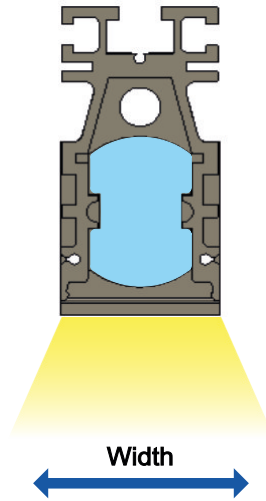
GEVX34-6K-UD-M12		
Working distance	Width mm	Power W/m ² Continuous Use
20 cm	12	433
40 cm	20	165
100 cm	50	29.5

GEVX34-6K-UD-L12-M12		
Working distance	Width* mm	Power W/m ² Continuous Use
20 cm	40	270
40 cm	80	90
100 cm	180	16.5

GEVX34-6K-XD-L20-M12		
Working distance	Width* mm	Power W/m ² Continuous Use
20 cm	100	163
40 cm	180	78
100 cm	390	22

GEVX34-6K-XD-L40-M12		
Working distance	Width* mm	Power W/m ² Continuous Use
20 cm	140	159
40 cm	220	72
100 cm	500	17

GEVX34-6K-UD-TN-M12		
Working distance	Width* mm	Power W/m ² Continuous Use
20 cm	140	77.5
40 cm	210	25.5
100 cm	500	4.8



* The width is taken between the two points on the illuminated surface where the light intensity reaches 50% of the maximum value, measured in the centre and show in the table

Tailor-Made

Connector	PINS	Function	Description
	1		
	2		
	3		
	4		
	5		

DEVELOP YOUR CUSTOM PRODUCT WITH OUR R&D TEAM



NEW SOLUTION

DESIGN A NEW ONE

info@genesi-lux.it



SAMPLE

TEST THE PRODUCT

info@genesi-lux.it



DOWNLOAD

TECHNICAL SPECIFICATIONS

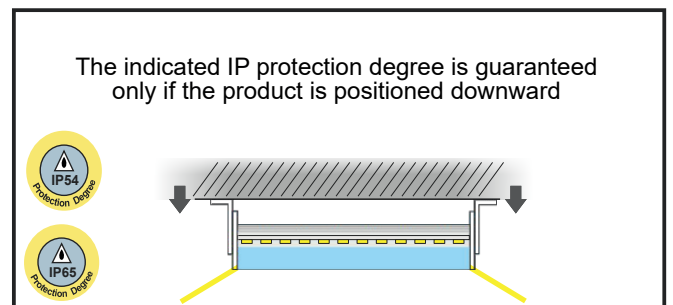
www.genesi-elettronica.com



REQUEST

THE PRICE LIST

info@genesi-lux.it



STANDARDS		
EMC immunity :	EN 61547:2009	
EMC emission :	EN 55015:2013 + A1	
Photobiologic risk :	EN 62471:2008 GLS:	
Assessment of lighting equipment related to human exposure to electromagnetic fields	EN 62493:2015	

WARNING

-Electrical device exclusively for professional use. Installation can be done by qualified personnel only.

-In case of power supply wire damage, its replacement has to be done at the head office exclusively.

Warranty loss in case of inappropriate use and tampering.



Design & Production
Made in Italy



Genesi LUX

GENESI ELETTRONICA SRL - VIA BACHELET, 3/A - 41057 SPILAMBERTO (MO) - ITALY

info@genesi-lux.it - TEL. +39 059785566 - www.genesi-elettronica.com

©All Rights Reserved GENESI ELETTRONICA - GEVX POWER BAR



Organization with a
certified ISO 9001:2015
Quality Management System

Rev. 01/24