

IMB

INDUSTRIAL METRIC LED BAR



24

Vdc

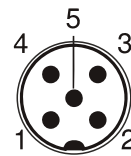
Base

IP65

Protection Degree

CE

RoHS



M12 5P Male Connector	
Pin 1	+24V
Pin 2	RS485 -
Pin 3	GND
Pin 4	RS485 +
Pin 5	NC

Illuminator Features :

- Project achieved by internal resources and Genesi skills;
- LEDs definition: 10 mm;
- LEDs colour: RGB;
- Model with transparent, satin or opaline covers;



Genesi LUX®

GENESI ELETTRONICA SRL - VIA BACHELET, 3/A - 41057 SPILAMBERTO (MO) - ITALY

info@genesi-lux.it - TEL. +39 059785566 - www.genesi-elettronica.com

©All Rights Reserved GENESI ELETTRONICA - IMB



Organization with a certified ISO 9001:2015 Quality Management System

Rev. 01/24

Ex. Code : **IMBXXX** -**RGB** -**WW1** -**WW2**

XXX	Base Lengths
IMB25	25 cm
IMB50	50 cm
IMB100	100 cm
IMB150	150 cm
IMB200	200 cm
IMB250	250 cm
IMB300	300 cm
IMB400	400 cm
IMBXXX	from 25 cm to 1600* cm on demand

-YYY	Led Colours	
-RGB	RGB 1 cm PER LED	Visible
-RGB	RGB1 4 mm PER LED	Visible

-WW1	Cover variants
-OP	Base Opaline cover
-T	Base Transparent cover
-ST	Satin cover
-OPB	Black opaline cover
-WW1	Cover on demand


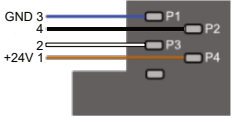
-WW2	Fixing variants
-US	Base Rear cable + rear fixing
-UL	Side cable + rear fixing
-UA	Axial cable + base fixing
-WW2	Fixing variants on demand

*The maximum length is 16Mt with modular parts whose maximum length is 4Mt.

Not all combinations are available

OPERATING MODE

USE

Connector	PINS	Function	PCB	PINS	Function	Description
M12 Male	1	+24 V	M12 Male	P1	+24 V	
	2	RS485 -		P2	RS485 -	
	3	GND		P3	GND	
	4	RS485 +		P4	RS485 +	
	5	NC		P5	NC	

DEEP SWITCH

S5 SW position

1	2	3	4																

Sel. meter: 1 2 3 4 5 6 7 8 9 10 11 12 13 14 15 16

S4 SW pos.

1	2				

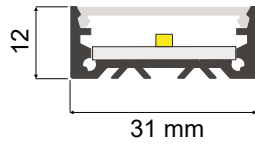
Sel. module: 1 2 3 4

S2 SW pos.

<input type="checkbox"/>	term. resistor connected
<input type="checkbox"/>	no termination resistor

MECHANICAL DRAWING

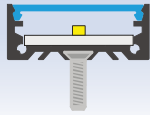
Scale	Unit of measurement
1:1	mm



from 25 cm to 1600* cm on demand

SCREWS

M4 x 16 mm

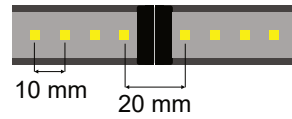


N°1 screw every 25 cm

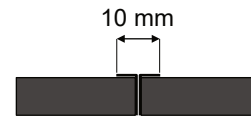
*The maximum length is 16Mt with modular parts whose maximum length is 4Mt.

For 3D mechanical drawing requests - info@genesi-lux.it

LEDs PLACEMENT

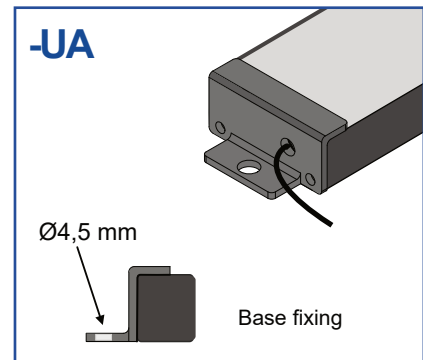
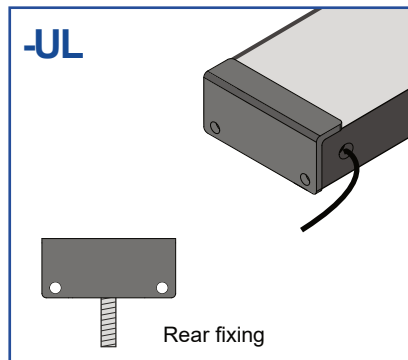
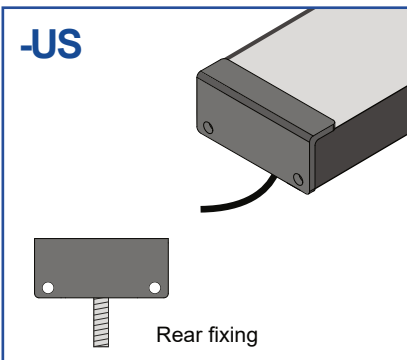


RGB 1 cm step



10 mm gap between 2 IMB

FIXING



Powers related to the white colour with homogeneity $\pm 10\%$

ACCESSORIES

CODE	DESCRIPTION
IMB-FIX	IMB fixing plint for -US & -UL (Rear fixing)
IMB-EXT-PW	Auxiliary power supply for IMBs over 8 meters T-adapter; M12 male, M12 female x2 (Bypass RS485 + Power 24V)
IMB-M12-CAP-F	M12 female connector cap

SPECIAL VERSION

CUSTOM

Connector	PINS	Function	Description
M8 or M12 Male	1		
	2		
	3		
	4		
	5		

DEVELOP YOUR CUSTOM PRODUCT WITH OUR R&D TEAM

STANDARDS		
EMC immunity :	EN 61547:2009	
EMC emission :	EN 55015:2013 + A1	
Photobiologic risk :	EN 62471:2008 GLS: RISK 0	
Assessment of lighting equipment related to human exposure to electromagnetic fields	EN 62493:2015	

WARNING

-Electrical device exclusively for professional use. Installation can be done by qualified personnel only.
-In case of power supply wire damage, its replacement has to be done at the head office exclusively.

Warranty loss in case of inappropriate use and tampering.



Genesi LUX®

GENESI ELETTRONICA SRL - VIA BACHELET, 3/A - 41057 SPILAMBERTO (MO) - ITALY

info@genesi-lux.it - TEL. +39 059785566 - www.genesi-elettronica.com

©All Rights Reserved GENESI ELETTRONICA - IMB



Organization with a certified ISO 9001:2015 Quality Management System

Rev. 01/24