

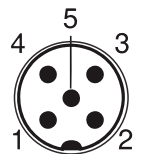
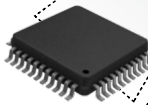
GEST300 MEGA-RING *Blue Line*

300 mm Convergent Lighting
on the target

Internal
Controller with
4 driving modes

Internal controller with 4 driving modes

1	100% Continuous use
2	200% Semi-continuous use
3	400% Strobe use
4	10-100% Analog Reg



M12 5P Male Connector	
Pin 1	+24V
Pin 2	Start NPN < 1 to 0V
Pin 3	GND
Pin 4	Start PNP > 3 to 24V
Pin 5	1-10V Analog Reg.



Illuminator Features :

- Project achieved by internal resources and Genesi skills;
- Fast & modular controller which allows to have the following modes: PNP NPN, Analog Regulation, Strobe and Semi-Continuous Use;
- Microcontroller to monitor the pulse duration and the maximum temperature;
- Model with Huge Lenses; 10°, 30°, 60° or 90°;
- Powerful and Fast strobe mode with energy buffering and strobe duration control, Min. pulse from 3 µs;
- Convergent lighting on the target tailored according to your needs.

Develop your custom solution

18 Standard Colours



COLOUR	WHITE		UV-A				VISIBLE				NIR			SWIR				
	White 6000K -6K	White 4000K -4K	UV 365nm -365	UV 385nm -385	UV 395nm -395	UV 405nm -405	Blue 450nm -470	Green 530nm -524	Red 625nm -625	Deep Red 660nm -660	IR 730nm -730	IR 850nm -850	IR 950nm -950	SWIR 1050nm -1050	SWIR 1200nm -1200	SWIR 1300nm -1300	SWIR 1450nm -1450	SWIR 1550nm -1550
Continuous use power	30W		20W				30W				25W	30W	20W					
Semi-continuous use power	60W		35W				60W				50W	60W	30W					
Strobe use power	150W		60W				150W				120W	150W	50W					



Genesi LUX®
GENESI ELETTRONICA SRL - VIA BACHELET, 3/A - 41057 SPILAMBERTO (MO) - ITALY
info@genesi-lux.it - TEL. +39 059785566 - www.genesi-elettronica.com
©All Rights Reserved GENESI ELETTRONICA - GEST300 MEGA-RING



Rev. 03/24

GEST300 Part Number

Ex. Code : **GEST300** - **YYY** - **WW1** - **WW2**

-YYY	Led Colour		EN 62471
-6K	Base 6000K Cold White	White	RISK1
-4K	4000K Natural White		RISK2
-365	UV 365 nm	UV - A	RISK3
-385	UV 385 nm		
-395	UV 395 nm		
-405	UV 405 nm		
-450	450 nm Royal Blue	Visible	RISK2
-524	524 nm Green		RISK1
-625	625 nm Red		
-660	660 nm Deep Red		
-730	730 nm IR	Nir	RISK2
-850	850 nm IR		
-950	950 nm IR		
-1050	1050 nm SWIR	Swir	RISK2
-1200	1200 nm SWIR		
-1300	1300 nm SWIR		
-1450	1450 nm SWIR		
-1550	1550 nm SWIR		
-YYY	Colours on demand		

-WW1	Cover variants
-T	Base Trasparent cover (90°)
-L10	10° Lens + Transparent Cover
-L30	30° Lens + Transparent Cover
-L60	60° Lens + Transparent Cover
-45T	45° Lens + Transparent Cover only UV-A

-WW2	Angle Inclination
-A10	10° inclination angle
-A25	25° inclination angle
-A50	50° inclination angle
-AX	Customizable inclination

-WW2	Cables
	20 cm cable + M12 5P M
-WW2	Supply connection on demand

Optional wavelenghts and lens available on request

Part Number Examples:

Attention! In order to define the correct code, it's necessarily to know the working distance and the diameter of the targer to be illuminated

GEST300-6K-L30-A50

6000 K white leds, transparent cover, 30° lens, 20 cm cable + M12 5 pole connector, IP65 protection.

GEST300-625-45T-A10

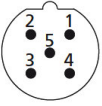
625 nm red leds, transparent cover, 45° lens, 20 cm cable + M12 5 pole connector, IP65 protection degree.

GEST300-1200-L10-A25

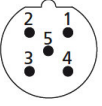
1200 nm leds, transparent cover, 10° lens, 20 cm cable + M12 5 pole connector, IP65 protection degree.

OPERATING MODE

100% CONTINUOUS USE

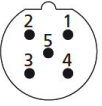
Connector	PINS	Function	Description
M12 Male 	1	+24 V	A) START NPN → PIN2: 0 to 1 V; B) START PNP → PIN4: 3 to 24 V; For the continuous use: it is possible to connect PIN4 directly to +24 V or PIN2 to GND.
	2	A) Start NPN: 0-1 V	
	3	GND	
	4	B) Start PNP: 3-24 V	
	5	-	

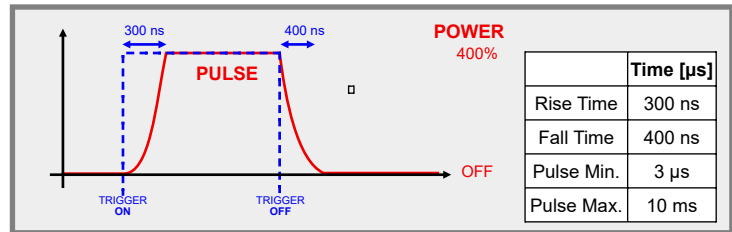
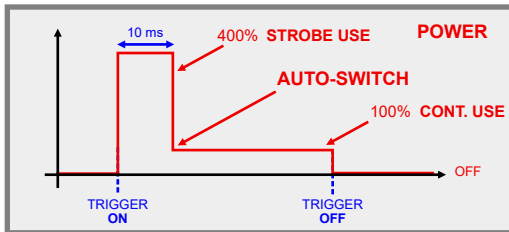
200% SEMI-CONTINUOUS USE

Connector	PINS	Function	Description
M12 Male 	1	+24 V	Precondition: PIN5: 24 V A) START NPN → PIN2: 0 to 1 V; B) START PNP → PIN4: 3 to 24 V; In this mode → Ton_{max} = 60 s - Dt_{max} = 50% For the semi-continuous use: it is possible to connect PIN4 directly to +24 V or PIN2 to GND. To use it in continuous mode with DT _{max} from 51% to 100%: it is necessary to use the heat sink or forced ventilation.
	2	A) Start NPN: 0-1 V	
	3	GND	
	4	B) Start PNP: 3-24 V	
	5	+24 V	

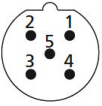
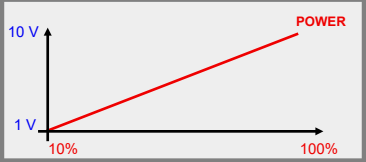
400% STROBE USE



Connector	PINS	Function	Description
M12 Male 	1	+24 V	A) START NPN → PIN2: 0 to 1 V; B) START PNP → PIN4: 3 to 24 V; In this mode → Ton_{max} = 10 ms - Dt_{max} = 10% AUTO-SWITCH in continuous use.
	2	A) Start NPN: 0-1 V	
	3	GND	
	4	B) Start PNP: 3-24 V	
	5	-	



ANALOG REGULATION USE 100%

Connector	PINS	Function	Description
M12 Male 	1	+24 V	PIN5 from 1 to 10 V can adjust the power from 10% to 100%. 
	2	-	
	3	GND	
	4	-	
	5	1 V - 10 V	



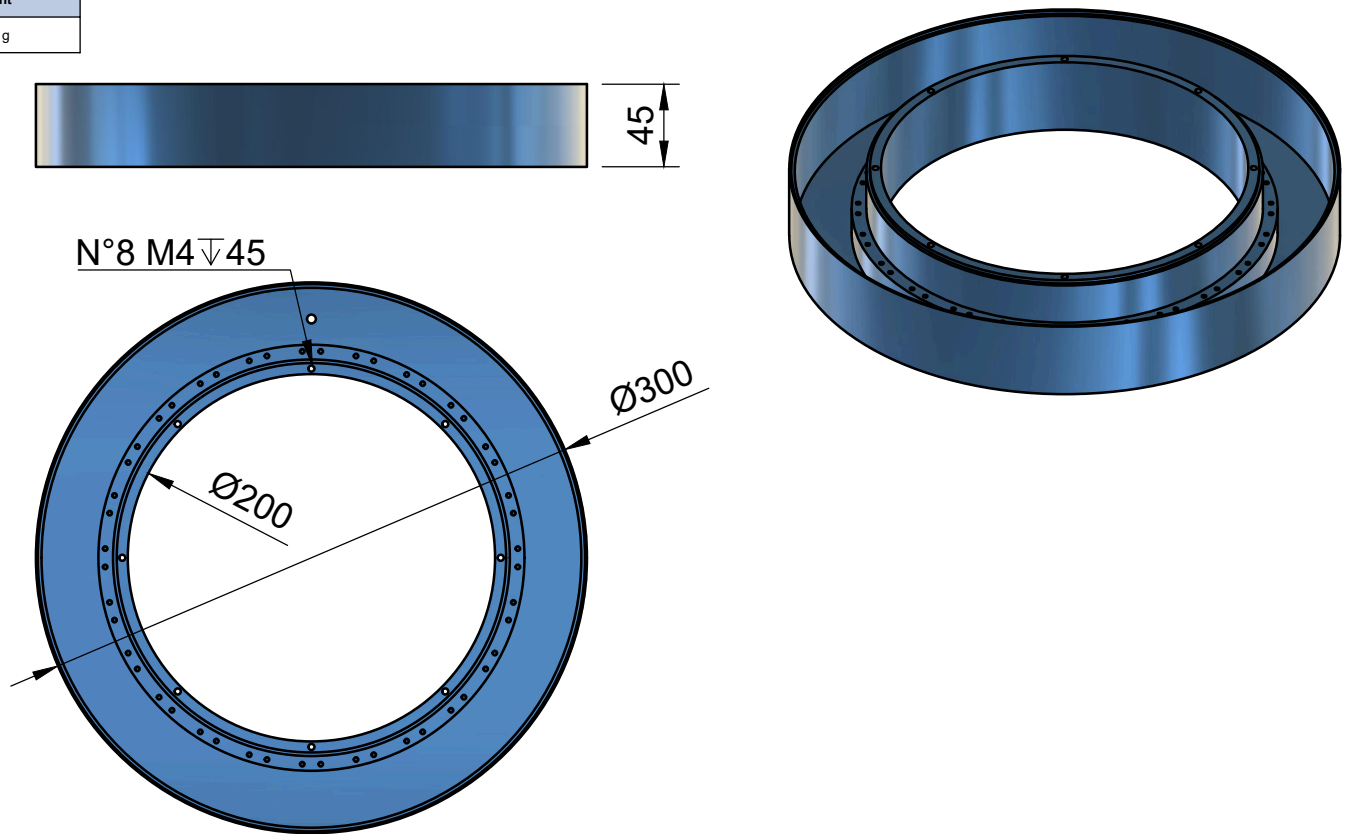
400% STROBE USE POWER can be reached only from WHITE / VISIBLE / NIR LEDs, for other wavelengths check the power table at page 1.



MicroController temperature protection → at 80°C the PCB enables the protection and restores the functioning at T < 60°C.

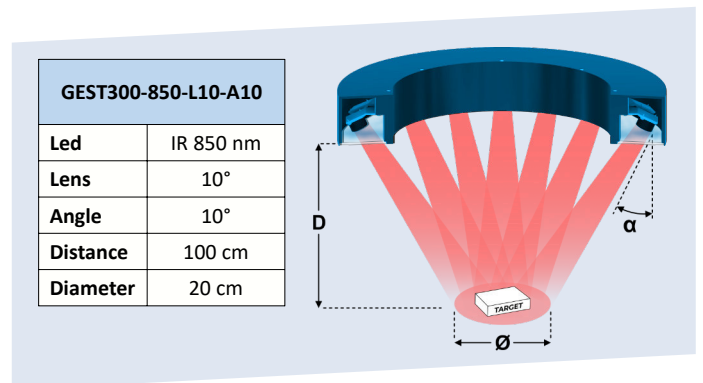
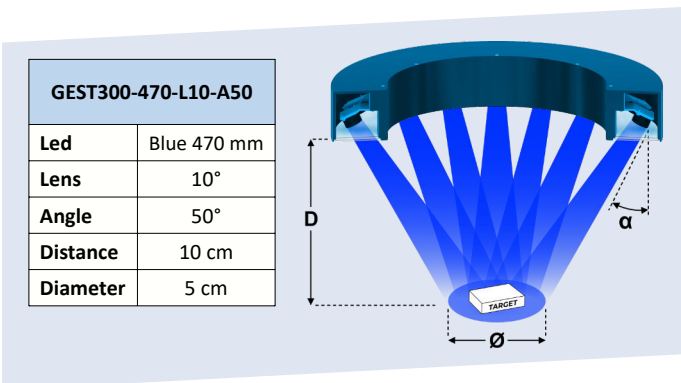
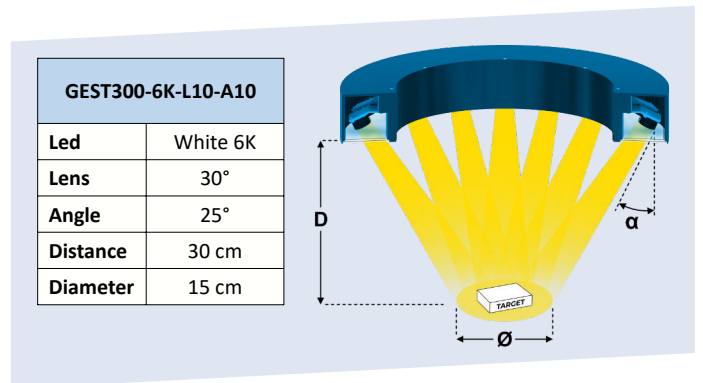
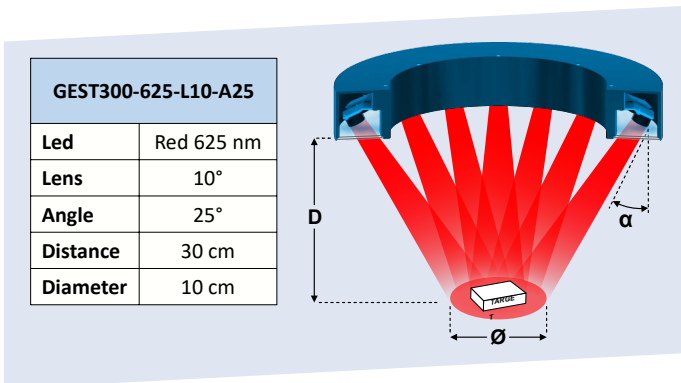
MECHANICAL DRAWING

Scale	Unit of measurement
1:4	mm
Weight	
2000 g	



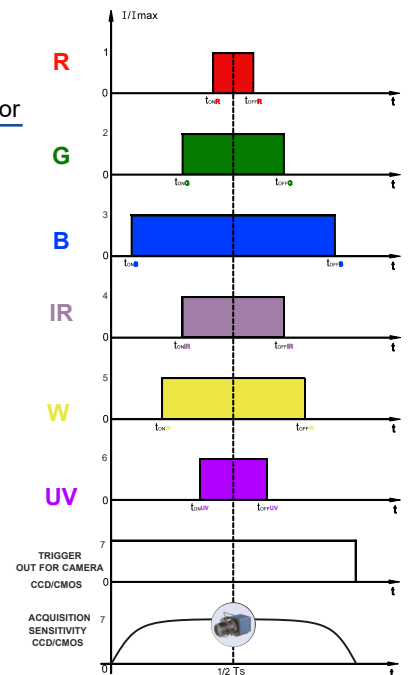
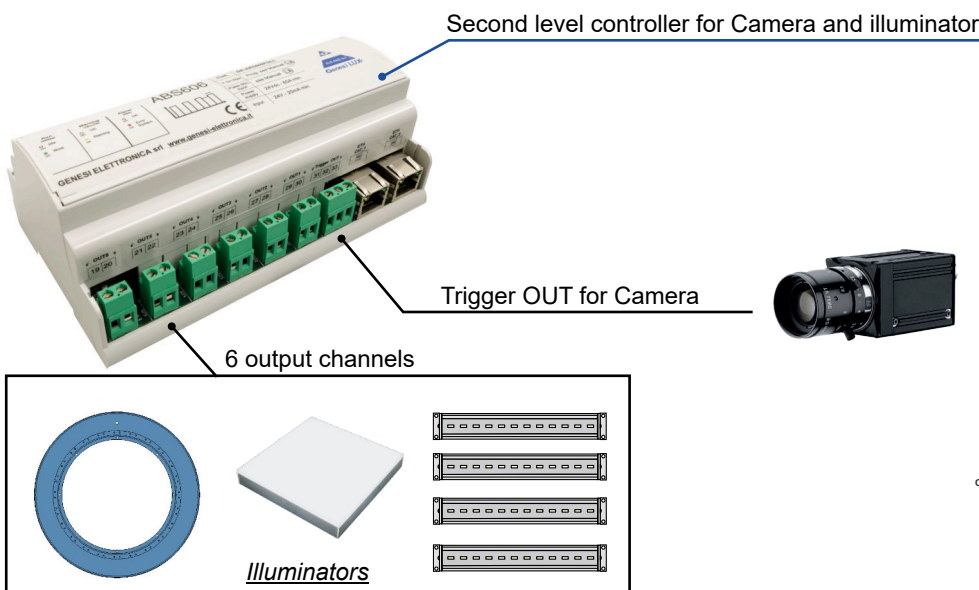
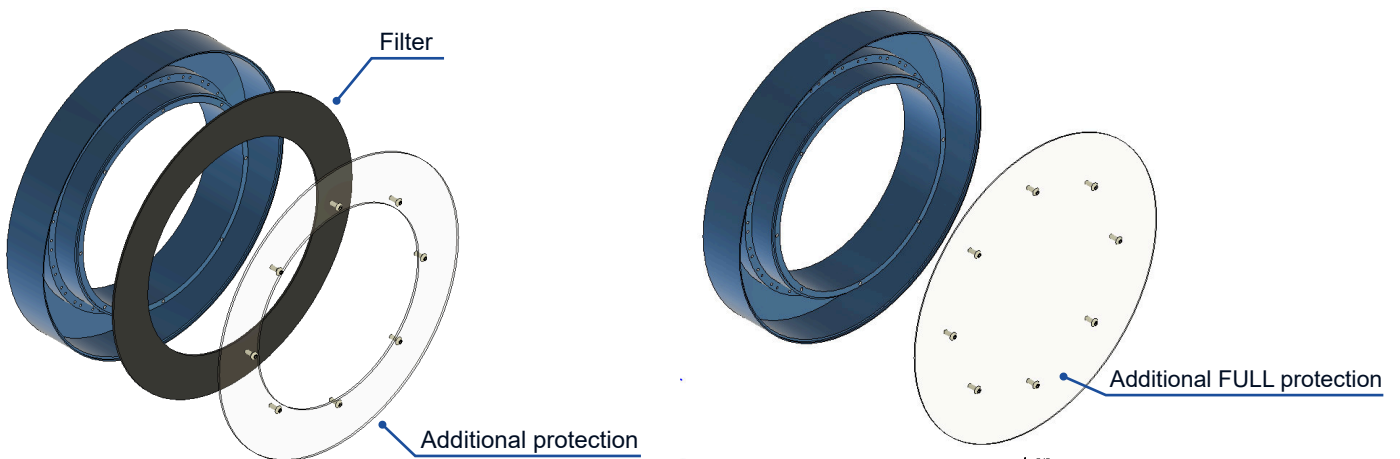
For 3D mechanical drawing requests - info@genesi-lux.it

LIGHT PROJECTION EXAMPLES



ACCESSORIES

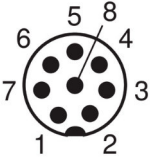
CODE	DESCRIPTION
GEST300-PX2-AP	Additional Protection 2 mm Transparent Plexiglass + screws
GEST300-PX2-UV-AP	Additional Protection 2 mm UV permeable Transparent Plexiglass + screws
GEST300-ST2-AP	Additional Protection 2 mm Satin Plexiglass + screws
GEST300-OP2-AP	Additional Protection 2 mm Opaline Plexiglass + screws
GEST300-PC2-AP	Additional Protection 2 mm Transparent Polycarbonate + screws
GEST300-P-AP	Additional Protection 2 mm Transparent Plexiglass + Polarizing Filter + screws
GEST300-PX2-APF	Additional FULL Protection for Camera and illuminator 2 mm Transparent Plexiglass + screws
GEST300-PX8-AP	IP 67 Additional Protection 8 mm Transparent Plexiglass + gaskets + screws
GE-M12F-5X050-2M	M12 connector female cable 2 meters long
GE-M12F-5X050-5M	M12 connector female cable 5 meters long
GE-M12F-5X050-10M	M12 connector female cable 10 meters long
GE-ABS606E	LED Voltage Control with 6 programmable channels and 10/100 Ethernet. Second level controller for Camera and illuminator.

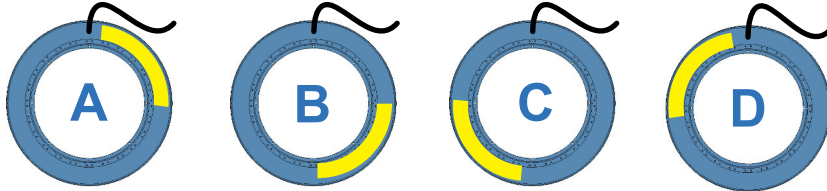


SPECIAL VERSION

PHOTOMETRIC STEREO

CODE: GEST300-YYY-WW1-WW2-PHS

Connector	PINS	Function	Description
	1	OUT error (+24 V)	Illuminator with 4 sectors that can be driven independently. 100% continuous use, 200% semi continuous use, or 400% strobe for every sector.
	2	+24 V	
	3	A) Start PNP: 15-24 V	
	4	B) Start PNP: 15-24 V	
	5	C) Start PNP: 15-24 V	
	6	D) Start PNP: 15-24 V	
	7	GND	
	8	Set +24 V to semi continuous mode (200%)	



Tailor-Made

Connector	PINS	Function	Description
M12 Male	1		
	2		
	3		
	4		
	5		

DEVELOP YOUR CUSTOM PRODUCT WITH OUR R&D TEAM



NEW SOLUTION

DESIGN A NEW ONE

info@genesi-lux.it



SAMPLE

TEST THE PRODUCT

info@genesi-lux.it



DOWNLOAD

TECHNICAL SPECIFICATIONS





www.genesi-elettronica.com



REQUEST

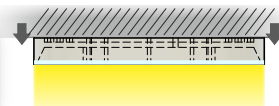
THE PRICE LIST

info@genesi-lux.it

LED WARNING → Meaning:	
 Steady green LED	Powered board
 Flashing green LED	Powered board with driven LEDs
 Steady red LED	Error report due to wrong pulse
 Flashing red LED	Error report due to temperature

The indicated IP protection degree is guaranteed only if the product is positioned downward

Base
IP65
Protection Degree



STANDARDS

EMC immunity :	EN 61547:2009	
EMC emission :	EN 55015:2013 + A1	
Photobiologic risk :	EN 62471:2008 GLS:	
Assessment of lighting equipment related to human exposure to electromagnetic fields	EN 62493:2015	

WARNING

-Electrical device exclusively for professional use. Installation can be done by qualified personnel only.
-In case of power supply wire damage, its replacement has to be done at the head office exclusively.

Warranty loss in case of inappropriate use and tampering.



Design & Production
Made in Italy



Genesi LUX

GENESI ELETTRONICA SRL - VIA BACHELET, 3/A - 41057 SPILAMBERTO (MO) - ITALY

info@genesi-lux.it - TEL. +39 059785566 - www.genesi-elettronica.com

©All Rights Reserved GENESI ELETTRONICA - GEST300 MEGA-RING



Organization with a certified ISO 9001:2015 Quality Management System

Rev. 03/24